

XCMG QY25K5-I

Construction machine brochure



Max. total rated lifting load



25t

Maximum boom length



47.8m

Full extended boom lifting height



39.5m



Crane model series:

All-terrain

Truck crane

Crawler crane

QY25K5-I Truck Crane

Next International

Next International Equipment is a professional company which operates in the domestic sales and export of construction machinery and parts. Although we have years of experience selling xcmg products through different companies. The company has self-managerial import & export authority, and can independently conduct the import and export business of construction machinery products.

XCMG

Since its foundation in March 1989, XCMG has always kept its vanguard role in the Chinese construction machinery industry for 25 years. At present, it ranks 5th in world construction machinery industry and 119nd among the top 500 Chinese enterprises. Being a large enterprise group with the largest scale, the most complete product type and series, and the highest competitiveness and influence in Chinese construction machinery industry.

The QY25K5-I is a three axle, single engine compact truck crane

The specifically designed chassis combined with the eco-friendly engine greatly enhances overall driving performance

An octagonal shaped boom made of high strength steel is both light and extra rigidly strong. Due to double telescopic mechanism the speed and lifting efficiency is much improved

Specially imported cables and bearings inside the boom make for the most reliable configuration possible

Patented hydraulic system adopts many innovative technologies which can make the machine more energy saving and powerful

The newly designed cabin with air-condition and comfortable seat take the load off the operator and make for optimal attention to the work

A newly designed load moment limiting system in full colour makes the safety of the people first priority



QY25K5-I

Technical specifications



Dimensions

Overall length	12300mm
Overall width	2500mm
Overall height	3350mm
Wheelbase	4425+1350mm
Wheel spacing	2074+1834+1834mm



Weight

Weight in travel state	31750kg
Front axle load	6550kg
Rear axles load	25200kg



Power

Engine model	Steyr WD615.329
Engine rated output	213kw/2200rpm
Engine rated torque	1160Nm/1400rpm
Engine model	Dong Feng SC8DK280Q3
Engine rated output	206kw/2200rpm
Engine rated torque	1112Nm/1400rpm



Travel

Max travel speed	80km/h
Min turning diameter	21.5m
Min ground clearance	275mm
Approach angle	16°
Departure angle	13°
Max grade ability	40%
Fuel consumption per 100km	39L
Acceleration noise	88dB(A)



Lifting performance

Max total rated lifting load	25t
Min rated working radius	3000mm
Turning radius counterweight	3065mm
Outrigger longitudinal span	5.85m
Outrigger lateral span	6m
Max load moment	961Kn/m
Max load moment extended boom	533Kn/m

Lifting height

Base boom	10.5m
Full extended boom	39.2m
Full extended boom + jib	47.2m

Boom length

Base boom	10.4m
Full extended boom	39.5m
Full extended boom + jib	47.8m



Working speed

Boom elevation time to max	68s
----------------------------	-----

Boom telescoping time

Extending boom fully	150s
Retracting boom fully	140s

Outrigger telescoping time

Outrigger beam extend/retract	35s/30s
Outrigger jack extend/retract	40s/35s

Hoisting speed (single line)

Main winch	Empty hook	75m/min
	Full load	125m/min
Aux winch	Empty hook	75m/min
	Full load	125m/min

QY25K5-I

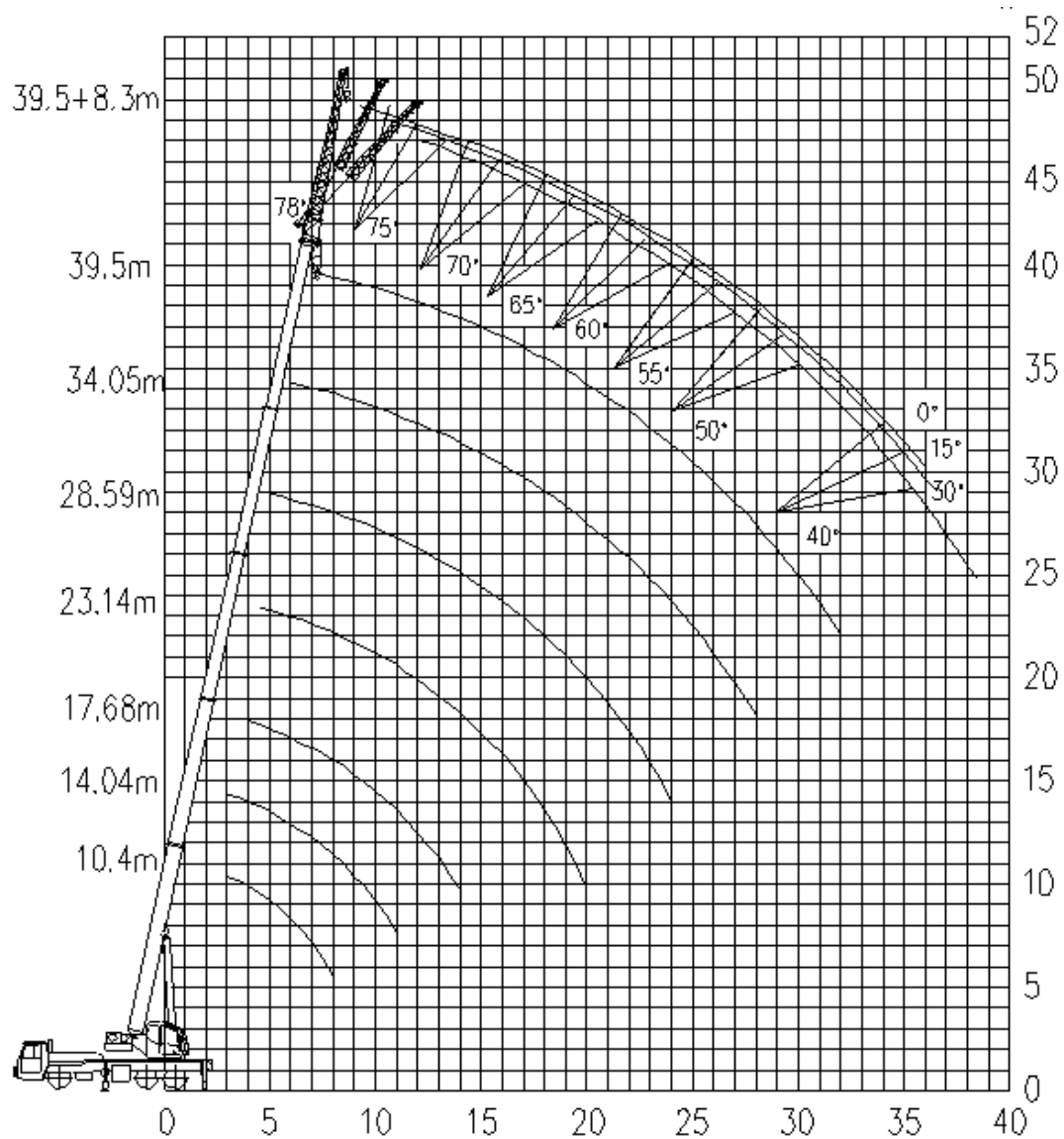
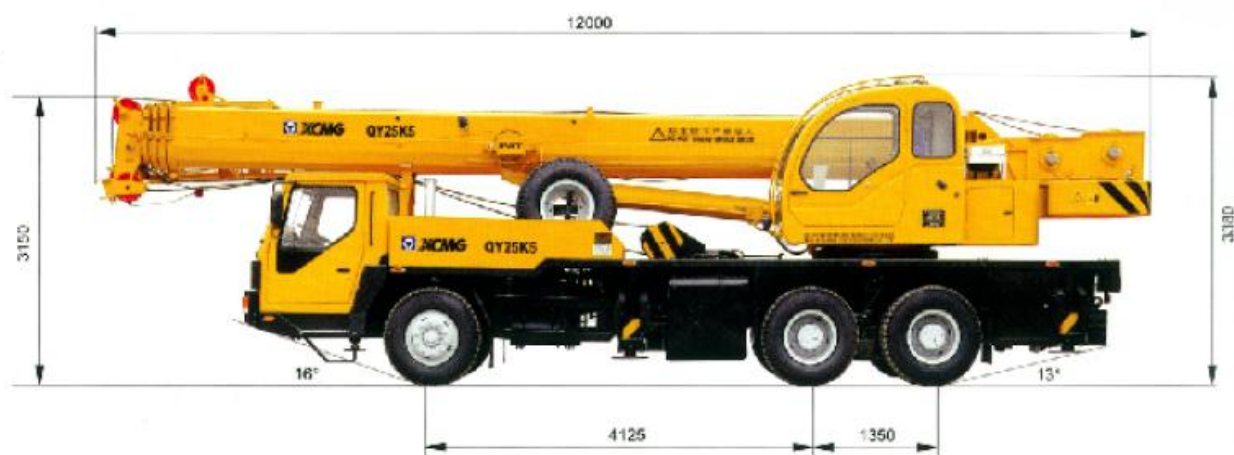
Lifting load charts

Outriggers fully extended, excluding 5th outrigger, 360° operation

Working Radius (m)	Main boom length, load in kg						
	10.4m	14.04m	17.68m	23.14m	28.59m	34.05m	39.5m
3	25000	22000					
3.5	25000	21500					
4	24200	21000	18000				
4.5	21800	20600	17100	12000			
5	19100	19200	15800	12000	10400		
5.5	17300	17800	14800	11700	9700		
6	15800	16100	14000	11000	9400		
6.5	13800	14100	13000	10800	8600	7200	
7	12200	12800	12200	10200	8350	7100	
8	11000	11000	10800	9200	7900	6500	
9		9080	8900	8400	7140	6050	5500
10		7430	7300	7560	6510	5550	5100
11		6220	6100	6700	5950	5150	4700
12			5100	5700	5500	4700	4350
13			4200	4900	5100	4410	4020
14			3550	4200	4600	4150	3800
15				3620	4000	3900	3510
16				3100	3500	3650	3400
18				2300	2700	2930	2880
20				1700	2080	2300	2400
22					1580	1800	1900
24					1180	1360	1500
26						980	1150
28						700	800
30							600
32							500
Parts of line	10	10	6	5	4	3	3
Hookblock	250kg						

QY25K5-I

Additional technical information



QY25K5-I

Additional technical information

Truck Chassis

XCMG specially designed and manufactured chassis

Rexroth Hydraulics

Frame

XCMG designed frame and structure design
Especially resistant against torsion

Rothe Erde Slewing Ring

High strength outrigger boxing

Front and rear towing hook

Engine

Manufactured by Weichai the WD615.329 is top class

Inline six cylinder, water cooled, ECU controlled diesel engine

This engine meets the Euromot III standard

Fuel tank capacity is 300L

Gearbox

Eaton Fuller Gearbox

Mechanical controller 8-speed rear axle drive

Axle

Three axles with two driven and one steering:
6x4x2

First axle is steering

Second and third axles are driven

Some Axles

Safe Load Indicator

PAT hirschmann SLI HC4900

Additional

Two hookblocks – 25Ton and 2.8Ton

Swing away jib – 8.3m





Next International Equipment

Next International Equipment

Room 2611-12, 26/F, C C Wu Building,

302-308 Hennessy Road, Wanchai,

Hong Kong